

» CP3002-RC/-RA «



3U CompactPCI conductive-cooled / air-cooled Core i7 CPU board

» Highest performance

Core™ i7-620LE 2.0 GHz, up to 8GB soldered DDR3 memory

» Rugged Design

VITA 47 compliant

» Broad Rear I/O connectivity

Gigabit Ethernet, USB, SATA, Serial ports ...

Intels new Core™ microarchitecture sets new standards for energy-efficient performance and scalability by use of new technologies such as Intel® Turbo Boost technology and Intel® Smart Cache.

The CP3002-RC/-RA is a 3U CompactPCI system controller board based on Intels latest 32nm Core™ technology. The CP3002-RC is a rugged, conductive-cooled version with a heat spreader. The CP3002-RA comes as a rugged, air-cooled version with a front panel and a heat sink for forced airflow cooling. Both board version use the highly efficient 2.0 GHz Intel® Core™ i7-620LE combined with the Mobile Intel® QM57 Express Platform Controller Hub. The processor comes with two cores each supporting two parallel threads (Intel® Hyper-Threading technology) enabling processing of up to four simultaneous threads. The next generation graphics core offers superior 3D and video performance resulting in a up to twice the graphics performance as compared with previous platform designs. Memory demanding applications can make use of up to 8GB soldered DDR3 SDRAM, with ECC support. For onboard data storage the CP3002-RC/-RA offers either a 16GB or 32GB SLC NAND Flash module.

Comprehensive Rear I/O Connectivity

The CPU board comes with a variety of rear I/O connectivity supporting communication interfaces like four Gigabit Ethernet, two USB 2.0 ports, two SATA interfaces and two serial ports (RS232 and RS232/RS422).

Outstanding Robustness

Designed to withstand even the toughest environmental

conditions, the CP3002-RC/-RA is VITA 47 compliant against temperature and shock and vibration requirements. Furthermore, selected components with high temperature tolerance from embedded technology programs have been chosen to guarantee operability.

Highest Data Security

The optional Trusted Platform Module (TPM) provides hardware based encryption mechanisms to create, seal, or store keys, passwords and other important data.

Easy Evaluation

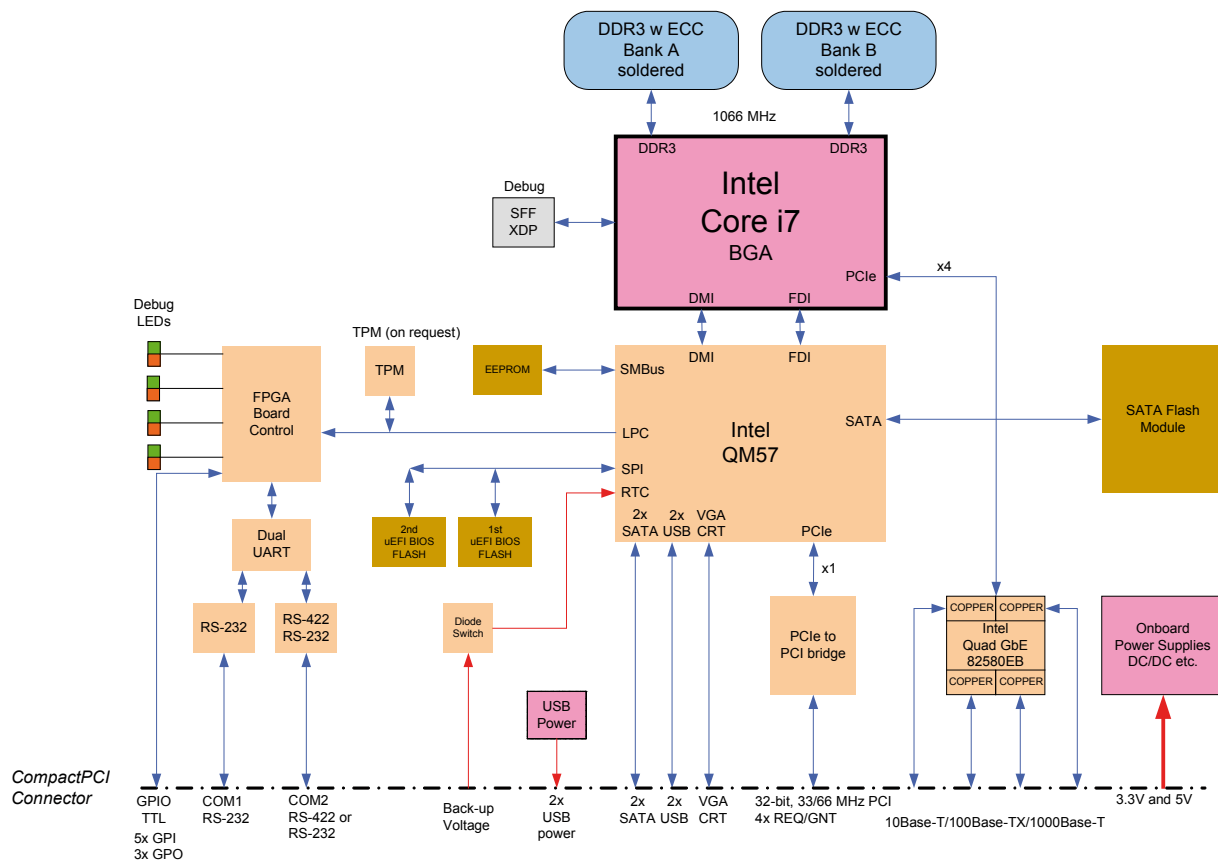
To guarantee an easy and trouble-free project start and allow simple evaluation and software development an extra evaluation system is available in which the CP3002-RA and the appropriate rear transition module (CP-RI03-05) can be installed.

Long-Term Availability

Investing in a new project is always a challenge and risky. Extending the lifetime of an application to the maximum possible is therefore a critical issue in recuperating the development investment.

Delivering a stable product based on Intel®'s embedded product line, the CP3002-RC/-RA ensures long-term availability.

This reduces the risk of unplanned design changes and unexpected expensive application modifications. While minimizing deployment risks by providing a broad range of software support, the CP3002-RC/-RA eases the process of product integration and maximizes your competitive advantage to meet your time-to-market window.



Technical Information

Processor	<p>Intel® Core™ i7 processor (32nm manufacturing process):</p> <ul style="list-style-type: none"> » Core i7-620LE: 2.0 GHz, LV, 4MB L3 cache (shared instruction/data cache between both cores) <p>Please contact Kontron for further information concerning the suitability of other Intel processors for use with the CP3002-RC/-RA</p>
Memory	
System Memory	Up to 8GB DDR3 SDRAM running at 1066 MHz, soldered, with ECC
Flash (uEFI)	2x redundant 8 MB SPI Flashes, with fail-over functionality
EEPROM	Serial EEPROM (24LC64) 64 Kbit for storing uEFI BIOS settings and serial number
SATA NAND Flash	Up to 32 GB SLC NAND Flash on a dedicated SATA NAND Flash module
Onboard Controller	
Platform Controller Hub	<p>Mobile Intel® QM57 Express Chipset:</p> <ul style="list-style-type: none"> » SATA host controller with six ports with RAID 0/1/5/10 support (only 3x ports are used, thus only RAID 0/1/5 support is available) » USB 2.0 host interface with up to 14 ports (only 2x ports are used) » 2x PCI Express x4 or 8x PCI Express x1 2.0 ports (only 1x PCI-Express x4 is used)
VGA	<p>High performance 3D graphics controller integrated in the processor:</p> <ul style="list-style-type: none"> » max. 2048 x 1536 pixels (QXGA) @60Hz » Dynamic Video Memory Technology (DVMT)
Gigabit Ethernet	<ul style="list-style-type: none"> » 4x GbE, without onboard magnetics » Intel 82580EB Quad Gigabit Ethernet controller » WOL (Wake-On-LAN) support
UART	XR16L2750IM-F, dual UART, 16C550-compatible
Watchdog	FPGA-based, timeout ranging from 125ms to 4096s programmable in 16 steps, IRQ, Reset, dual-stage
RTC	Integrated in QM57 with 256 Byte CMOS RAM
Trusted Platform Module (TPM)	Infineon SLB9635TT TPM 1.2 controller, optional
Front Interfaces	
LED's	LED 0,1,2,3: POST Code or General Purpose or WD, TH
Onboard Interfaces	
I/O Extension Connector	The I/O extension connector holds 1x SATA port for mounting the SATA NAND Flash module
Rear I/O via J2	<p>The CP3002-RC/-RA supports:</p> <ul style="list-style-type: none"> » Two SATA II ports » Four Gigabit Ethernet ports without onboard magnetics » Two USB 2.0 ports with power » One VGA analog port » One COM port RS-232 » One COM port RS-232/RS-422 » Five GPIs and Three GPOs (LVTTTL signalling) » Back-up voltage (3.3V)
CompactPCI Bus Interface	<ul style="list-style-type: none"> » PICMG 2.0 Rev. 3.0 compatible, 32-bit, 33/66MHz system master » universal 5V and 3.3V PCI signalling voltage supported, 4 Req/Gnt & clock lines
Supervisory Functions	Watchdog, software configurable, 125ms to 4096s in 16 steps, generates IRQ or hardware reset, dual-stage configuration
Compliance	<p>CompactPCI Core Specification PICMG 2.0 Rev. 3.0 ANSI/VITA47-2005: CP3002-RC ECC4 CP3002-RA EAC6 planned</p> <p>Designed to meet or exceed:</p> <ul style="list-style-type: none"> » Safety: UL 60950-1, CSA 22.2 No 60950-1, EN60950-1 » EMI/EMC: EN 55022 / EN 55024, EN 50081-1 / EN 61000-6-2
General	
Dimensions	100 x 160mm, 3U, 4HP
Weight	CP3002-RC: 342 g (without mezzanine card) CP3002-RA: 403 g (without mezzanine card)
MTBF	CP3002-RC 261,450 h acc. to MIL-HDBK-217FN2, Ground Benign, controlled at 30° CP3002-RA 234,213 h acc. to MIL-HDBK-217FN2, Ground Benign, controlled at 30°
Software Support	<ul style="list-style-type: none"> » AMI uEFI, setup console redirection to serial port (VT100 mode) with CMOS setup access, EFI Shell support, Board configuration via Shell, diskless, keyboardless, videoless operation » LAN boot support » Board identification number accessible via EEPROM » Support for Windows® 7, Windows Server 2003, Windows Server 2008, Linux®, VxWorks (Other OSs may also be used with the CP3002-RC/-RA. Please contact Kontron for further information.)
Power Consumption	Typ. 31W
Environmental	
Operating Temp.	-40 °C to +85 °C, CP3002-RC without TPM -40 °C to +75 °C, CP3002-RA without TPM -25 °C to +70 °C, CP3002-RC/-RA with TPM
Storage Temp.	-55°C to +85°C (without additional components)
Climatic Humidity	93% RH at 40°C, non-condensing (acc. to IEC 60068-2-78)

Ordering Information

Article	Description
CPU Baseboard	
CP3002-RC-2.0D-4GS-16GF-U	Rugged conduction-cooled, Intel® Core™ i7-620LE, 2.0 GHz, 4MB L3, 4GB soldered DDR3, 16GB Flash, universal PCI interface
CP3002-RC-2.0D-8GS-32GF-U	Rugged conduction-cooled, Intel® Core™ i7-620LE, 2.0 GHz, 4MB L3, 8GB soldered DDR3, 32GB Flash, universal PCI interface
CP3002-RA-2.0D-4GS-16GF-U	Rugged air-cooled, Intel® Core™ i7-620LE, 2.0 GHz, 4MB L3, 4GB soldered DDR3, 16GB Flash, universal PCI interface
CP3002-RA-2.0D-8GS-32GF-U	Rugged air-cooled, Intel® Core™ i7-620LE, 2.0 GHz, 4MB L3, 8GB soldered DDR3, 32GB Flash, universal PCI interface
Rear Transition Module	
CP-RI03-05	8HP rear I/O module (4x GbE, 2x USB, VGA, 2x SATA, COM, GPIO)

Please contact your local sales representative for other configuration options.

CP3002-RA EVALUATION SYSTEM



CORPORATE OFFICES

Europe, Middle East & Africa

Oskar-von-Miller-Str. 1
85386 Eching/Munich
Germany
Tel.: +49 (0)8165/ 77 777
Fax: +49 (0)8165/ 77 279
info@kontron.com

North America

14118 Stowe Drive
Poway, CA 92064-7147
USA
Tel.: +1 888 294 4558
Fax: +1 858 677 0898
info@us.kontron.com

Asia Pacific

17 Building,Block #1,ABP.
188 Southern West 4th Ring Road
Beijing 100070, P.R.China
Tel.: + 86 10 63751188
Fax: + 86 10 83682438
info@kontron.cn

